

The logo features the word "STEALTH" in white, bold, uppercase letters centered within a black, stylized mountain or roof shape. Below this shape, the words "INFRARED HEATER" are written in a large, bold, black, uppercase sans-serif font.

STEALTH

INFRARED HEATER

CH18A10GR

CH22A10GR

GR: unit with a remote control function;



The photo is only for a reference, maybe it will be a light different with the actual device.

IMPORTANT INFORMATION

Please carefully read the Operation Manual before using the infrared heater.

This Operation Manual contains the important information on your safety, as well as some recommendations on proper use of the appliance and its maintenance.

WHAT'S IN THE BOX

- Heater fitted with flexible cord and plug.
- Operating and Installation Instructions.
- One small box contains 2 sets of Brackets.
- One remote controller , only for remote control model

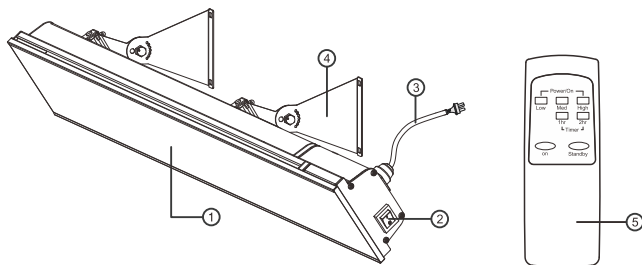
SAFETY INSTRUCTIONS

- During use of the infrared heater, it is necessary to observe some precautions. Improper operation with disregard of precautions may result in infliction of harm to health of the user and other people, as well as in infliction of damage to their property.
- Use only the voltage specified on the rating plate of the heater.
- ONLY connect the appliance to a properly installed socket-outlet with earth contact.
- The heater should be connected to the electric mains equipped with an automatic circuit breaker.
- The unit must be handled with care, and avoid vibration or hitting.
- WARNING: FIRE RISK EXISTS IF THE HEATER IS COVERED BY OR POSITIONED CLOSE TO CURTAINS OR OTHER COMBUSTIBLE MATERIALS.
- Do not use the appliance areas where gasoline, paint or other flammable liquids are used or stored.
- Do not use the appliance in particularly in dusty or where explosives are stored.
- Do not use the appliance in a building site, green house, barn or in animal stables.
- Do not use the appliance as a sauna heater.
- Do not use this unit in the place of animal propagating and rising.
- Warning: Do not touch the radiating plate. Temperature of radiating boards during operation of the heater may reach 380 °C. To avoid burns, do not touch the appliance surface by hand and other body parts. It is also necessary to avoid touching the heater whilst the appliance is switched on, as severe burns may result. The appliance can take up to 1 hour to cool down after switching it off.
- Do not place any items of clothing, hand towels or similar over the heater to dry. Risk of overheating and fire hazard.
- Do not leave the heater unattended whilst in use.
- Do not use this heater on a wet surface, or where it can fall or be pushed into water.
- Do not reach for an appliance that has fallen into water. Switch off at supply and unplug immediately.
- If the supply cord is damaged, it must be replaced by the manufacturer, its service agent or similarly qualified persons in order to avoid a hazard
- If the heater is defective, it must be checked and repaired by the manufacturer, its service agent or similarly qualified persons for repair.
- Do not operate appliance with wet hands.
- Use this appliance only as described in this manual. Any other use is not recommended by the manufacturer and may cause fire, electric shock or injury.
- Do not use abrasive cleaning products on this appliance. If the body becomes dirty, wipe off dust with a cloth, and the radiating boards should be wiped in cold condition with a damp soft cloth. Always remove plug from the mains supply before cleaning.
- The heater must be installed at least 1.8 m above the floor.
- The heater must not be located immediately below a socket-outlet. Socket-outlet should not be located at the back of the heater. They should be located outside the physical footprint of the units to minimize heat build-up behind the heater.
- If the heater is to be mounted on an incline (eg. Sloping or angled ceiling), ensure the electrical connection is located at that lowest point of the heater.
- Do not connect the appliance to the mains source until it has been installed in its final location and adjusted to the position it will be used in.
- Do not operate with the cord coiled up as this could cause a buildup of heat, which could pose a hazard.
- The use of an extension cord with this appliance is not recommended.
- Do not allow cord to come in contact with heated surfaces during operation.

- Do not run cord under carpeting, throw rugs or runners etc. Arrange cord away from areas where it is likely to be tripped over.
- Children of less than 3 years should be kept away unless continuously supervised.
- Children aged from 3 years and less than 8 years shall only switch on/off the appliance provided that it has been placed or installed in its intended normal operating position and they have been given supervision or instruction concerning use of the appliance in a safe way and understand the hazards involved. Children aged from 3 years and less than 8 years shall not plug in, regulate and clean the appliance or perform user maintenance
- This appliance can be used by children aged from 8 years and above and persons with reduced physical, sensory or mental capabilities or lack of experience and knowledge if they have been given supervision or instruction concerning use of the appliance in a safe way and understand the hazards involved. Children shall not play with the appliance. Cleaning and user maintenance shall not be made by children without supervision.
- Children should be supervised to ensure that they do not play with the appliance
- The appliance is only intended for the purpose described in user manual.
- Do not use appliance or any part of the appliance out of the intended use to avoid risk.
- The use of attachments which are not recommended or sold by the appliance manufacturer may cause a risk of injury to persons
- CAUTION — some parts of this product can become very hot and cause burns. Particular attention has to be given where children and vulnerable people are present.
- Install and operate the heater in strictly horizontal position on the ceiling or ceiling structural surface. The thermal resistance of the ceiling coating and ceiling material should be at least 80 °C.
- WARNING: This heater is not equipped with a device to control the room temperature. This heater is to be used in open, alfresco environment or large areas with high ceilings. The heater must not be within reach from the floor, as severe burns may occur due to high surface temperatures. Do not use this heater in small rooms or where the room or area is occupied by persons not capable of leaving the room on their own, persons who are unable to operate the heater safely and with the guidelines of the use manual, unless constant supervision is provided.
- WARNING: The heater must not be used if the glass panels are damaged.

HOW TO OPERATE THE HEATER

General design layout



- ① Ceramic glass panel
- ② ON/OFF main power switch
- ③ power cords and plug
- ④ brackets for wall or ceiling mounting
- ⑤ Remote control

Technical Specification

MODEL NAME	CH18A10GR	CH22A10GR
Voltage	230-240V~ , 50Hz	230-240V~ , 50Hz
Rated power (W)	1800	2200
Installation	Wall mounted Ceiling mounted	Wall-mounted
Ideal Mounting height (M)	1.8- 2.3	1.8- 2.5
Electric protection class	I	I
Water splash proof rate	IP65	IP65
The length of cable(mm)	1050	1050
Unit size- L*W*H(mm) (without bracket)	902*170*78	902*170*78

OPERATION

WARNING!

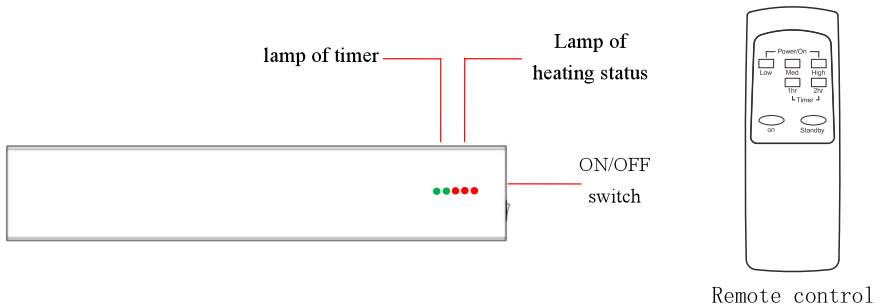
Slight crackles may be heard during the heating or cooling period. This is normal operational noise.

NOTE:

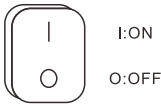
- ✓ After switching on the appliance for the first time and following extended periods on non-use, the appliance may expel a slight odor for a short time. It will not affect the use of the heater.
- ✓ To exclude unpleasant burnt odor, it is recommended to keep the heater clean preventing accumulation of dust on it
- ✓ The distance between the heater and the remote control should be less than **3 meter**, and the remote control must be directly point to the receiver on the front panel during the operation.

CH18A10GR CH22A10GR

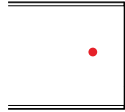
Operation instruction :



1, Plug in the device, and then press the switch to the position of I (refer to the picture 1). The device will sound 1 beep, one lamp of heating status will flash (picture 2), the device is in standby mode and doesn't heat now (refer to the picture 2)



Picture1



Picture 2

2、 Point the remote control directly to the receiver, press the button of “ON”, the device will sound 1 beep , and starts to heat in high power mode (100% the rated power) and all three lamps of heating status turn in red. Refer to the picture 3 Press the button “Standby”, the device will sound 1 beep, the device one lamp of heating status will flash (picture 2, the device is in standby mode and doesn't heat now (refer to the picture 2)



Picture 3

3、 When the device is in heating mode or in stand-by mode, Point the remote control directly to the receiver and press the button “Low”, the device will sound 1 beep, and starts to heat in lower power mode (33% of the rated power). One lamp of heating status will turn in red (refer to the picture 4)



picture 4

4、 When the device is in heating mode or in stand-by mode, Point the remote control directly to the receiver and press the button “Med”, the device will sound 1 beep, and starts to heat in medium power mode (66% of the rated power). Two lamps of heating status will turn in red (refer to the picture 5)



picture 5

5. When the device is in heating mode or in stand-by mode, Point the remote control directly to the receiver and press the button "High", the device will sound 1 beep, and starts to heat in High power mode (100% of the rated power). Three lamps of heating status will turn in red (refer to the picture 6)



picture 6

Timer function:

Press the button of hour zone of remote control (refer to picture 7), the delay-off timer (1 hour, 2 hours or 3 hours) can be activated.

Point the remote control directly to the receiver and press the button of "1", the 1st lamp of timer will turn in green color, the device will be powered off after 1 hour, and the device will be in standby mode, one lamp of heating status turns in red and flash.

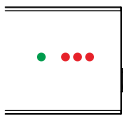


picture 7



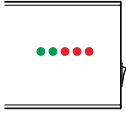
Picture 8: 1 hour timer

Point the remote control directly to the receiver and press the button of "2", the 2nd lamp of timer will turn in green color, the device will be powered off after 1 hour, and the device will be in standby mode, the lamp of heating status turns in red and flash.



picture 9 : 2 hours timer

6. Point the remote control directly to the receiver and press the button of "1" and "2", the 1st and 2nd lamp of timer will turn in green color, the device will be powered off after 3 hour, and the device will be in standby mode, the lamp of heating status turns in red and keep in twinkling



Picture 10 : 3 hours timer

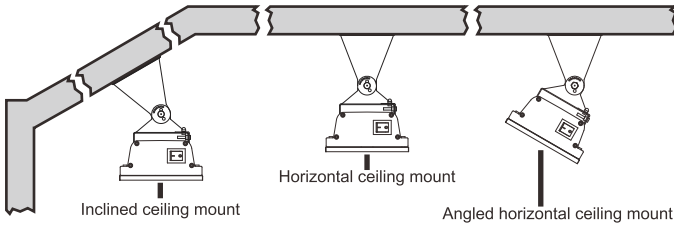
INSTALLATION

Before installation, read the manual carefully.

The heater must be installed in accordance with the manufacturer's installation instructions

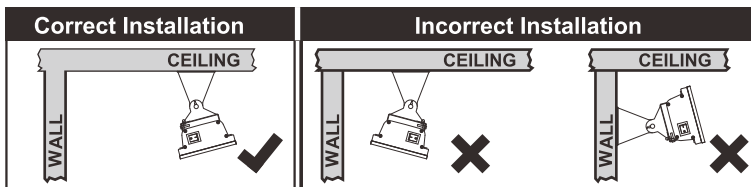
This heater comes with a pair of stainless steel adjustable angle mounting brackets. The adjustable angle enables the heater to be installed on vertical, horizontal and inclined surfaces.

Ceiling mounted (CH18A10GR)



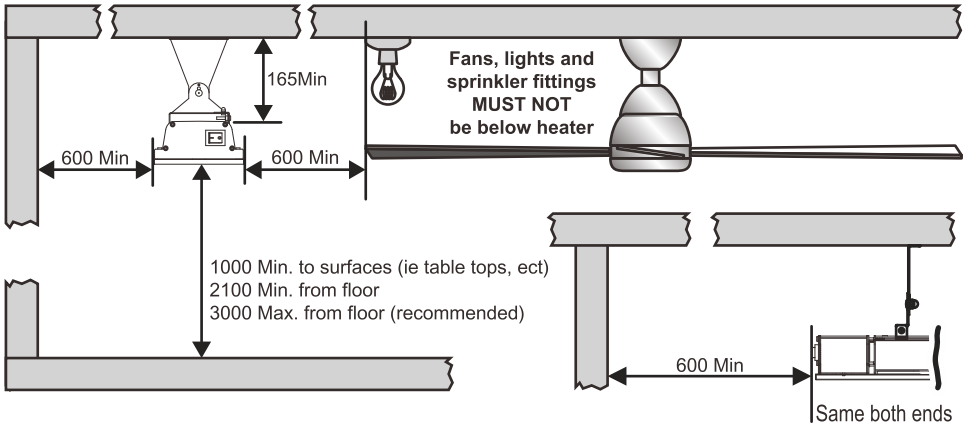
The ideal mounting position is directly above the area to be heated with a longitudinal orientation and facing vertically downwards.

Warning: The heater must never be installed in the upwards or inwards facing position, the heating surface must always be positioned to direct the heat in a downwards or outwards direction.

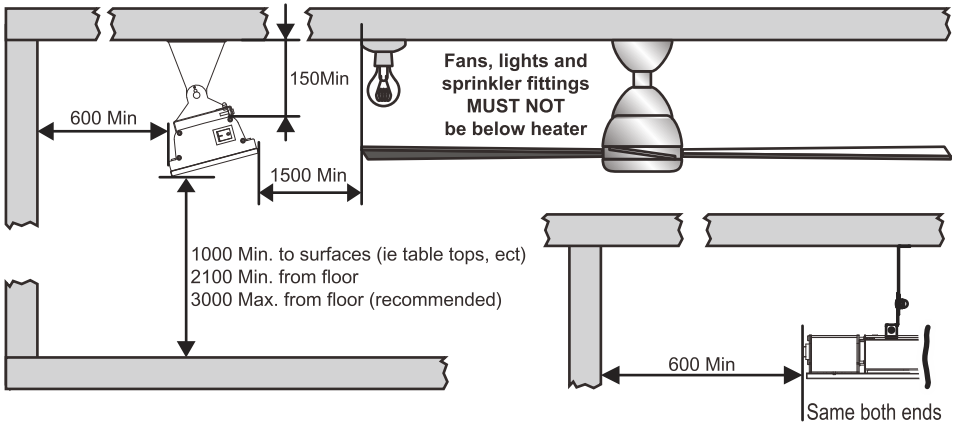


Clearances

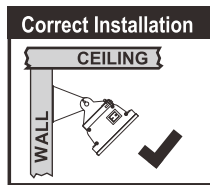
Minimum clearances when mounting the heater parallel with a ceiling.



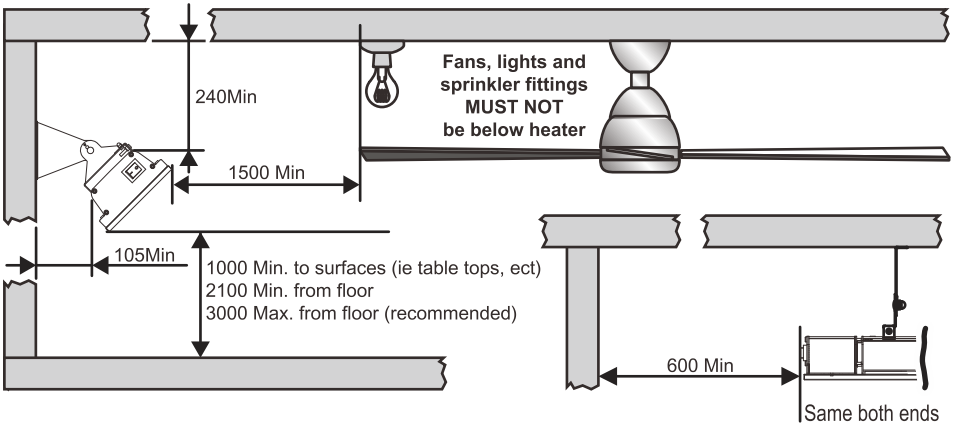
Minimum clearances when mounting the heater at an angle to the ceiling.



Wall-mounted installation (CH18A10GR, CH22A10GR)



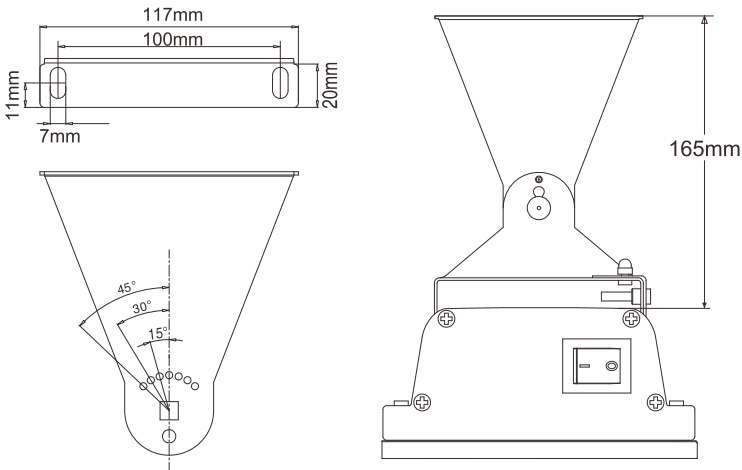
Minimum clearances when mounting the heater on A VERTICAL WALL



Installation Process

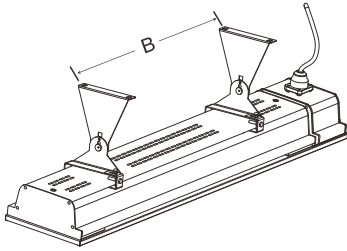
WARNING! Mounting of the infrared heater and its connection to the electric mains should be carried out only by qualified specialists according to the Electrical Installation Regulations and Power System Safety Standards

1. Open the factory package and carefully take the heater out.
2. Take out the packing paper sheet from the end of heater
3. Take out one pair of mounting Brackets. These adjustable brackets allow direct ceiling or wall mount, and come with preset angle options of parallel, 15°, 30°, 45° and height 170mm.



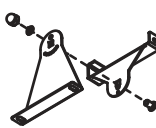
4. The correct installation process, as per the diagram above, select the heater location on the ceiling by locating the stud or structural beams to ensure secure fastening of the heater, whilst observing the minimum clearances from the floor and other obstructions.

5. Install two brackets on the ceiling or wall with the following minimum recommended bracket distance "B".



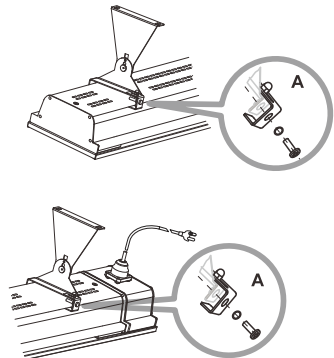
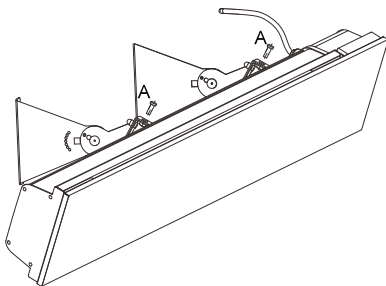
Model No	"B" MINIMUM DISTANCE (mm)
1800W	500 ±50
2200W	500 ±50

6. Set the adjustable angle mounting brackets to desired angle and fasten brackets by spanner
 For ceiling mounted installation, the available mount angles are restricted to 0°, 15° and 30° only.
 For wall mounted installation, the available mount angles are restricted to 15°, 30° and 45° only.



	0°	15°	30°	45°
Ceiling				
Wall				

7. Hang the heater on the brackets and firmly secure in place with the mounting bracket locking plates by tightening bolts, labelled A

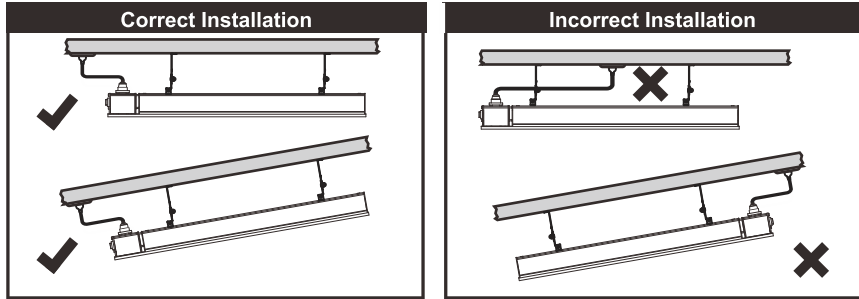


NOTE:

- ✓ Depending on material and design of ceiling structural elements, the heater must be secured with the correct fasteners. The weight of the heater is up to 5.3Kg, the installation location must be able to hold 5 times the weight of the heater.

Connection to electric mains

- The heater is designed for connection to the single-phase 230-240V~ 50Hz electric mains equipped with a earth.
- Before connection, make sure that specifications of the electric mains at the connection point meet the single-phase 230-240V~ 50Hz voltage.
- The electric mains should be equipped with an automatic circuit breaker with rated current not less than 16A.
- The heater must not be located immediately below a power point. Power point should not be located at the back of the heater. The power point needs to be located outside the physical footprint of the heater to minimize heat build-up behind the heater.
- If the heater is to be mounted on an incline (eg. Vaulted ceiling), ensure the power point located at that lowest point of the heater.



MAINTENANCE

- Any maintenance should only be carried out by a qualified electrician.
- During operation, it is necessary to periodically (once a year) check the electric cable contacts and terminal connectors for good tightening.
- If the body becomes dirty, wipe off dust with a towel, and the radiating boards should be wiped in cold condition with a damp soft rag.

WARMING!

- ✓ Never immerse the appliance in water! Danger to life!

TROUBLESHOOTING

Possible malfunctions are given in Table below.

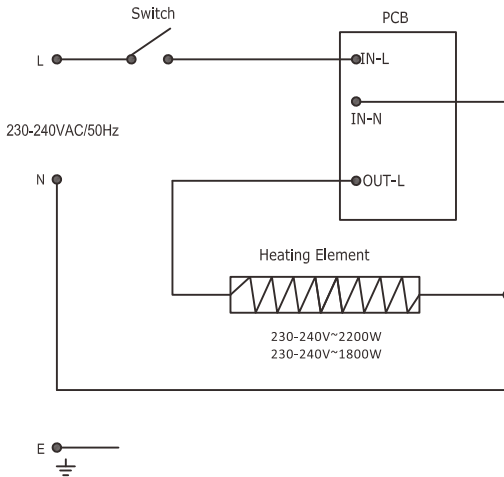
SYMPTOM	CAUSE
Will not heat / No operation indicator	Check that power is connected and switched on
Heater smells when first used.	This is caused by oil or dust left over from the manufacturing process and will stop after a short time
Faint smell for short periods after turning on the heater	This is normal and should stop after a short time
Heater smells when turned on after periods of no use	Build-up of debris and dust on the heater, Switch the heater off and allow it to cool down and then clean
Clinking noises when heater is turned on and after being turned off	This is expansion and contraction noises of the heaters metal components and is normal
Poor heating performance	Exposure to extreme ambient conditions such as high winds / excessively cold temperatures can lower the heating performance of an outdoor installation
	Unit is not installed in correct position, possibly too high or heater is too small for recommended area.

When to contact the authorized service or seller

SYMPTOM	CAUSE
There is a burning smell and or strange sounds (other than normal expansion and contraction noises) coming from the unit	Turn off the heater, and contact seller.
When associated circuit breaker (safety, ground) is thrown or a fuse is blown	Turn off the heater, and contact your authorized electrical installer
Poor heating performance	Incorrectly sized installation, contact your authorized electrical installer Faulty heater element, turn off the heater, and contact seller
Will not heat / No operation indicator	Check that power is connected and switched on, if still faulty, turn off the heater, and contact seller or your installing electrician.

WIRING SCHEMATIC DIAGRAM

CH18A10GR, CH22A10GR



• Correct Disposal of this product



This marking indicates that this product should not be disposed with other household wastes throughout the EU. To prevent possible harm to the environment or human health from uncontrolled waste disposal, recycle it responsibly to promote the sustainable reuse of material resources. To return your used device, please use the return and collection systems or contact the retailer where the product was purchased. They can take this product for environmental safe recycling.